

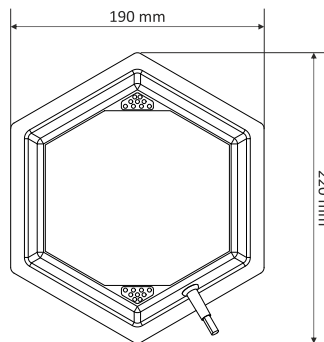
Revox Invisible Speaker

TECHNICAL DATA SHEET

INV HEX

Invisible speaker for gluing to hard surfaces such as plastic, wood or aluminum composite panels. Transforms swinging surfaces such as plant pots or back walls in the bathroom/kitchen area into invisible loudspeakers by gluing them to the back. Wooden elements (possibly with pocket milling) in the furniture sector are also a suitable area of application. With its compact design and its special cone with high efficiency, the INV HEX is very versatile.

Thanks to the crossover integrated in every INV HEX loudspeaker, three important protective functions are available. A high-pass filter protects against subsonic signals and also serves as DC protection. A self-resetting overcurrent fuse protects the INV HEX loudspeaker from permanent overload. Equipped with this, the INV HEX can be operated with any conventional amplifier. Optimum reproduction is achieved with Revox DSP amplifiers.



TECHNICAL DATA

	INV HEX
Order no.	108465000
Dimensions L x W x D (mm)	190 x 220 x 40
Minimum installation depth (mm)	40
Weight (kg)	0,6
Capacity (Watt)	max. 60W RMS
Impedance (Ohm)	8
Sensitivity	85 dB/1W/1m
Frequency range (-6 dB)	60 Hz - 15 kHz
Connection cable	1m incl. WAGO connection clamps
Outdoor suitable	✓ (with INV HEX Cover)

ACCESSORIES

	incl.
2K high-performance adhesive (25g)	✓
Abrasive fleece	✓
INV HEX Cover (Protective hood) (L360 x W360 x D46 mm)	X

Accessories: The INV HEX cover (item no.: 108465001) offers a wide range of application options. The robust plastic housing with cable gland protects the INV HEX from external damage as well as moisture or dirt and extends its service life. The cover can also be used as an installation housing. Once mounted over the INV HEX, the cover can be screwed to the surface through the existing holes or glued to the surface with Merbenit SF50.

Note:

The material and the thickness of the excited surface influence the efficiency and the frequency range.

The installation instructions must be observed for standard installations. Special installations after consultation with the sales consultant.