

Dear Revox Partner,

Today we inform you with *a PREVIEW* about upcoming new products in our INVISIBLE Speaker range and the final discontinuation of the S37 Audio Server.

NEW

With the **Revox INV HEX**, we are introducing a new variant of our invisible speakers. A product that opens up further areas of use and applications for individual audio solutions.

We are also presenting one possible application as a new Revox loudspeaker:

Revox Botanic

Read more about these exciting new products and the final ordering options for the white S37 Audio Server in the following info letter:

New Products

NEW Revox Botanic



For an elegant, surprising and very sonorous musical experience - indoors and outdoors. A sounding plant pot. Easy to use and connect. Thanks to powerful and invisibly placed INVISIBLE speakers from Revox, the sides of the plant pot are used for impressive sound reproduction. Due to the protected installation of the speakers, the plant pot is weatherproof and can also be used flexibly outdoors. Available as Revox Botanic 50-2 (50x50x50cm) as well as Revox Botanic 70-2 (70x70x70cm) and Revox Botanic 70-4 (70x70x70cm), in this size optionally equipped with two or four loudspeakers. The Botanic Speaker can be operated with any conventional amplifier. Optimum reproduction is achieved with Revox DSP amplifiers.

A special audio solution in the private environment or in the hotel and catering industry as well as in public buildings.

TECHNICAL DATA

	Botanic 50-2	Botanic 70-2	Botanic 70-4
Dimensions W x B x D (cm)	50 x 50 x 50	70 x 70 x 70	70 x 70 x 70
Material	Fiberglass, UV and frost resistant	Fiberglass, UV and frost resistant	Fiberglass, UV and frost resistant
Color	anthracite	anthracite	anthracite
Number of INV HEX speakers	2	2	4
Impedance	2 x 8 Ohm	2 x 8 Ohm	2 x 4 Ohm

PRICES

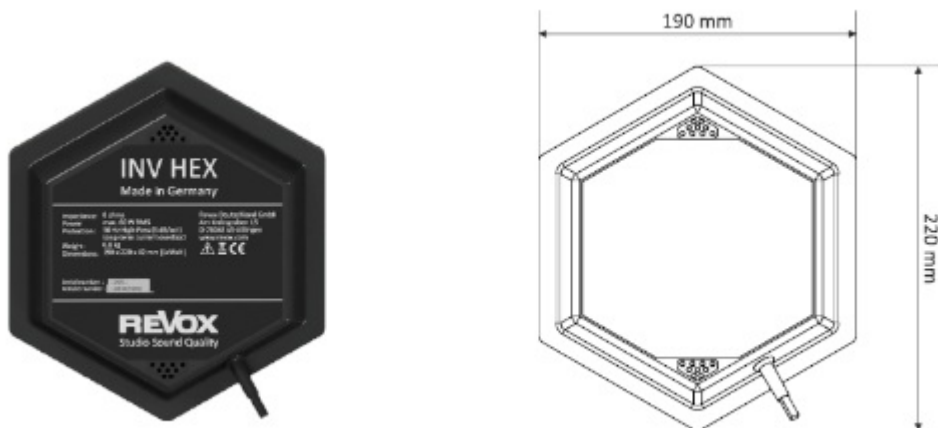
	Botanic 50-2	Botanic 70-2	Botanic 70-4
Order no.	108465502	108465702	108465704
Price RVP incl. VAT	2.400,- EUR/CHF	3.800,- EUR/CHF	4.250,- EUR/CHF

➔ Revox Botanic products can be pre-ordered now. After ordering, the delivery time is expected to be six weeks.

NEW Revox INV HEX

Invisible Speaker for gluing to hard surfaces such as plastic, wood or aluminum composite panels. Transforms swinging surfaces of plant pots or rear walls in the bathroom/kitchen area into invisible speakers by gluing to the rear. Wooden elements (possibly with pocket milling) of furniture are also a suitable area of application. With its compact design and its special cone with high efficiency, the INV HEX is very versatile.

Thanks to the crossover integrated in every INV HEX loudspeaker, three important protective functions are available. A high-pass filter protects against subsonic signals and also serves as DC protection. A self-resetting overcurrent fuse protects the INV HEX loudspeaker from permanent overload. Equipped with this, the INV HEX can be operated with any conventional amplifier. Optimum reproduction is achieved with Revox DSP amplifiers.



TECHNICAL DATA

	INV HEX
Order no.	108465000
Dimensions L x W x D (mm)	190 x 220 x 40
Minimum installation depth (mm)	40
Weight (kg)	0,6
Capacity (Watt)	max. 60W RMS
Impedance (Ohm)	8
Sensitivity	85 dB/1W/1m
Frequency range (-6 dB)	60 Hz - 15 kHz
Connection cable	1m incl. WAGO connection clamps
Outdoor suitable	✓ (with INV HEX Cover)

ACCESSORIES

	incl.
2K high-performance adhesive (25g)	✓
Abrasive fleece	✓
INV HEX Cover (Protective hood) (L360 x W360 x D46 mm)	X

Accessories: The INV HEX cover (order no.: 108465001) offers a wide range of application options. The robust plastic housing with cable gland protects the INV HEX from external damage as well as moisture or dirt and extends its service life. The cover can also be used as an installation housing. Once mounted over the INV HEX, the cover can be screwed to the surface through the existing holes or glued to the surface with Merbenit SF50.

PRICES

	INV HEX	INV HEX Cover
Order no.	108465000	108465001
Prices incl. VAT	570,- Euro	75,- Euro



Revox INV HEX products can now be pre-ordered. Delivery expected at the end of May.

Reminder

Revox S37 Audio Server



There are still a limited number of Revox S37 in white to order.
After that, as already announced, the product will no longer be produced in black, silver or white.



So order the last available S37 in white now.
Orders will be delivered in the order in which they are received.



REVOX
Studio Sound Quality

Revox (Schweiz) AG
Eichwatt 5
CH 8105 Watt-Regensdorf

Revox Deutschland GmbH
Am Krebsgraben 15
D 78048 VS-Villingen

Revox Handels GmbH
Josef-Pirchl-Strasse 38
AT 6370 Kitzbühel

