

Dear Revox Partner,

In recent weeks, we have further expanded and updated our product materials with regard to their targeted use for the preparation of quotations by our partners/planners/architects.

We are pleased to be able to offer you even better support in order to acquire new Revox projects easily and efficiently.

We are also delighted to provide you with further information on our new INV HEX product today.

Enjoy reading!

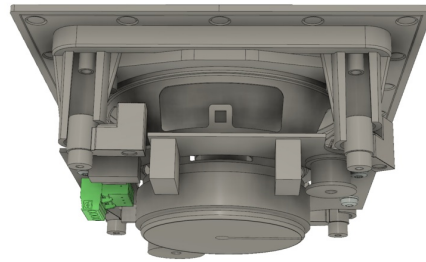
Your

Revox Team

NEW

3D Object Files

Three-dimensional Revox product models are now available for interior designers/architects/planners/structural engineers/partners and all those who are enthusiastic about CAD. We are starting with the built-in loudspeakers and the multiuser amplifier and server series. Further models in our range will be added continuously over the coming weeks.



You can find the relevant files on our support page or here for download:

[3D files download](#)



UPDATED

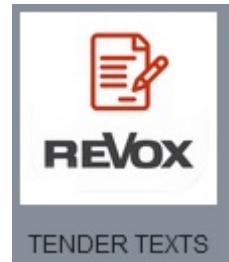
Tender Texts

We have update our German tender texts for our whole product range, which you can translate and use for offers etc.



You can find the relevant files on our support page or here for download:

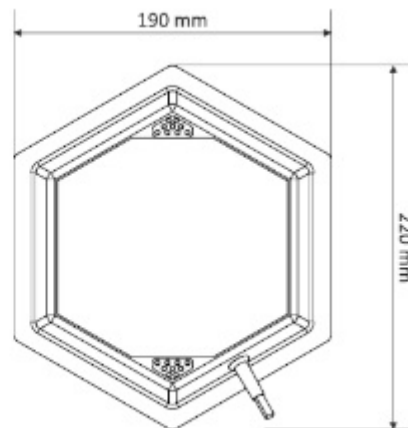
[Tender texts download](#)



Now available

NEW Revox INV HEX

Invisible speaker for bonding to hard surfaces such as plastic, wood or aluminum composite panels. Transforms back walls in the bathroom/kitchen area or surfaces of plant pots into invisible speakers by bonding them to the back. Wooden elements (possibly with pocket milling) of furniture are also a suitable area of application. This opens up completely new application possibilities. Below you will find some examples of applications.



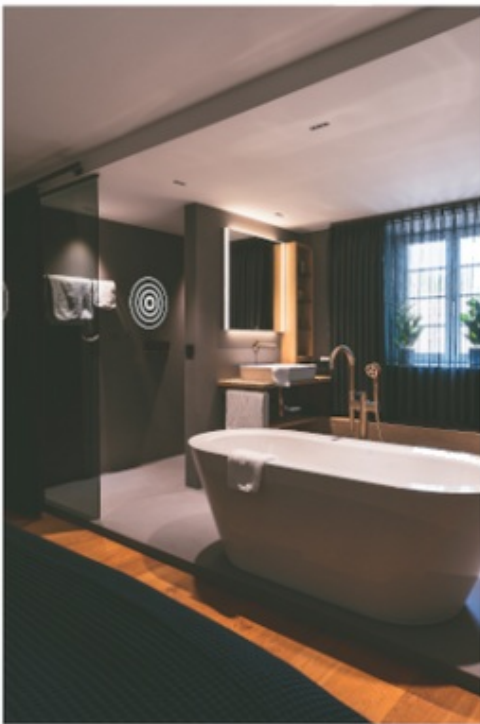
Revox INV HEX products can now be ordered.

INDOOR

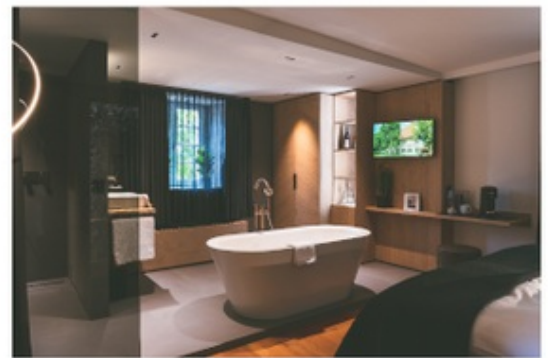
1. Application example: INV HEX for partition wall

INV HEX installed, for example, in a shower wall (see marking in the picture on the left) of a hotel bathroom.

- Create flat bonding planes
- Glue INV HEX to the wall using 2-component adhesive (included in the scope of delivery)
- Carry out function test
- Carry out cabling
- Load DSP preset in Configurator and adjust if necessary



Bilder: balneotec GmbH



INDOOR and OUTDOOR

2. Application example: INV HEX in plant pot

Revox Botanic

For elegant, surprising and very sonorous music enjoyment - indoors and outdoors. Visually perfect and individually integrated into the respective home design, the Botanic offers acoustic highlights.



The new Botanic is extremely versatile!

Whether indoors in the private living room, entrance hall, kitchen, conservatory, wellness area or in business premises, surgeries, hotel or catering premises or outdoors on the terrace, in the garden, courtyard, pool area, park, outdoor reception area etc..

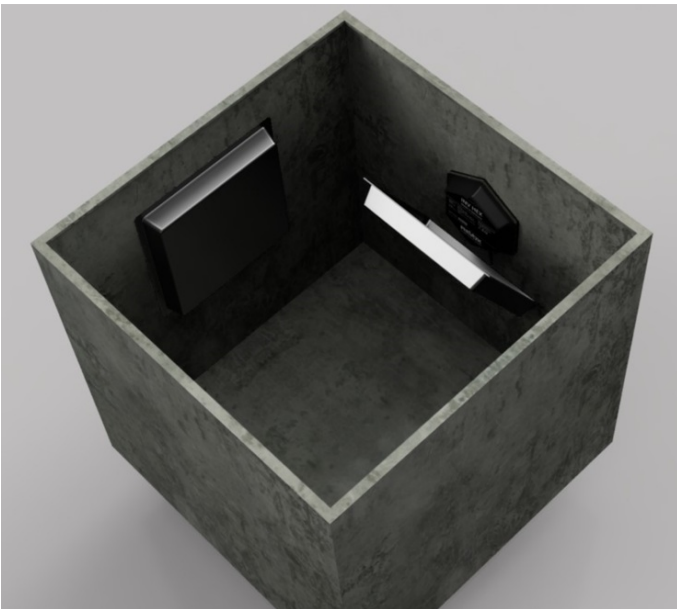
The Botanic provides an outstanding audio solution!

- ➔ Revox Botanic products (plant pot incl. INV HEX) can now be ordered and will be available from July. You can find more information about the Revox Botanic on the information sheet. Available on the support page and the website or here for download:

[Botanic info sheet download](#)

INFO FOR SELF-ASSEMBLY:

Simple installation of the INV HEX in your own plant pot



- Create flat bonding planes
- Glue INV HEX to the interior wall using 2-component adhesive (included in the scope of delivery)
- Carry out a function test
- Feed the cable through the cable grommet of the HEX protective shell (HEX cover) and glue it watertight to the inner wall
- Load the DSP preset in the Configurator and adjust if necessary



REVOX
Studio Sound Quality

Revox (Schweiz) AG
Eichwatt 5
CH 8105 Watt-Regensdorf

Revox Deutschland GmbH
Am Krebsgraben 15
D 78048 VS-Villingen

Revox Handels GmbH
Josef-Pirchl-Strasse 38
AT 6370 Kitzbühel

[Recommend newsletter](#) | [Unsubscribe](#) | [Imprint](#)