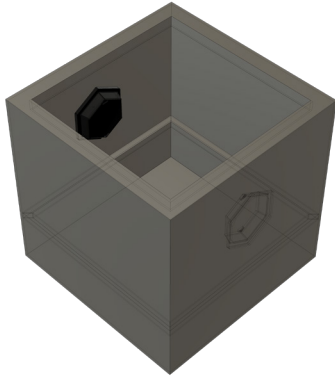


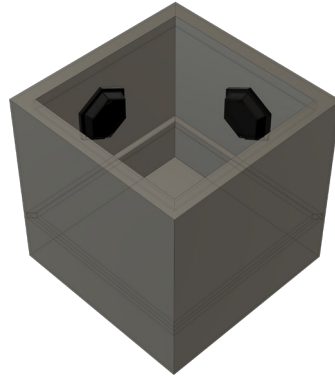
## Botanic 70

For an elegant, surprising and very sonorous musical experience - indoors and outdoors.  
 A unique loudspeaker. Easy to use and connect. For indoor use, e.g. in the living room or entrance area, and outdoor use, e.g. on the terrace or by the pool. Thanks to powerful Invisible Speakers from Revox, the side surfaces of the highquality and very decorative plant pot are used for impressive sound reproduction.  
 Thanks to the protected installation inside, the Botanic is weatherproof and can also be used flexibly outdoors.

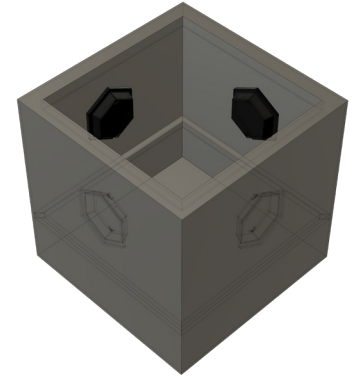
## OVERVIEW VARIANTS



**Botanic 70-2o**  
 Plant pot (70x70x70cm) with two Invisible Speakers opposite each other.



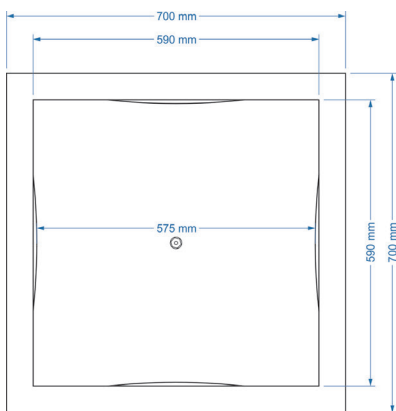
**Botanic 70-2c**  
 Plant pot (70x70x70cm) with two Invisible Speakers across the corner.



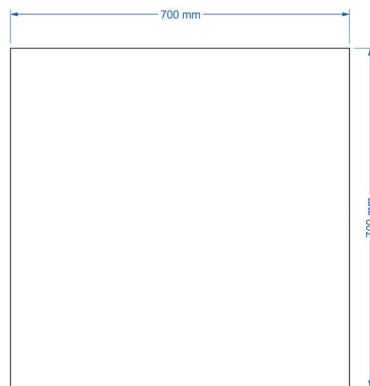
**Botanic 70-4**  
 Plant pot (70x70x70cm) with four Invisible Speakers, one on each side.

## TECHNICAL DATA

	Botanic 70-2o	Botanic 70-2c	Botanic 70-4
Order no.	108465702	108465712	108465704
Dimensions W x D x H (cm)	70 x 70 x 70	70 x 70 x 70	70 x 70 x 70
Material	Fiberglass, UV and frost resistant	Fiberglass, UV and frost resistant	Fiberglass, UV and frost resistant
Color	anthracite	anthracite	anthracite
Number of Invisible Speakers	2	2	4
Arrangement of Invisible Speakers	opposite sides	sides across corner	all four sides
Impedance	2 x 8 Ohm	2 x 8 Ohm	2 x 4 Ohm
Performance	2 x 60 Watt	2 x 60 Watt	4 x 60 Watt



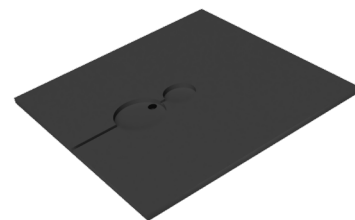
Botanic 70  
 Interior view incl. dimensions



Botanic 70  
 Exterior view incl. dimensions

## ACCESSORIES

	Botanic Floor Plate 70
Dimensions (cm)	67 x 67 x 18
Order no.	108465720



Base plate made of water-resistant and lacquered wood for indoor or protected outdoor use.